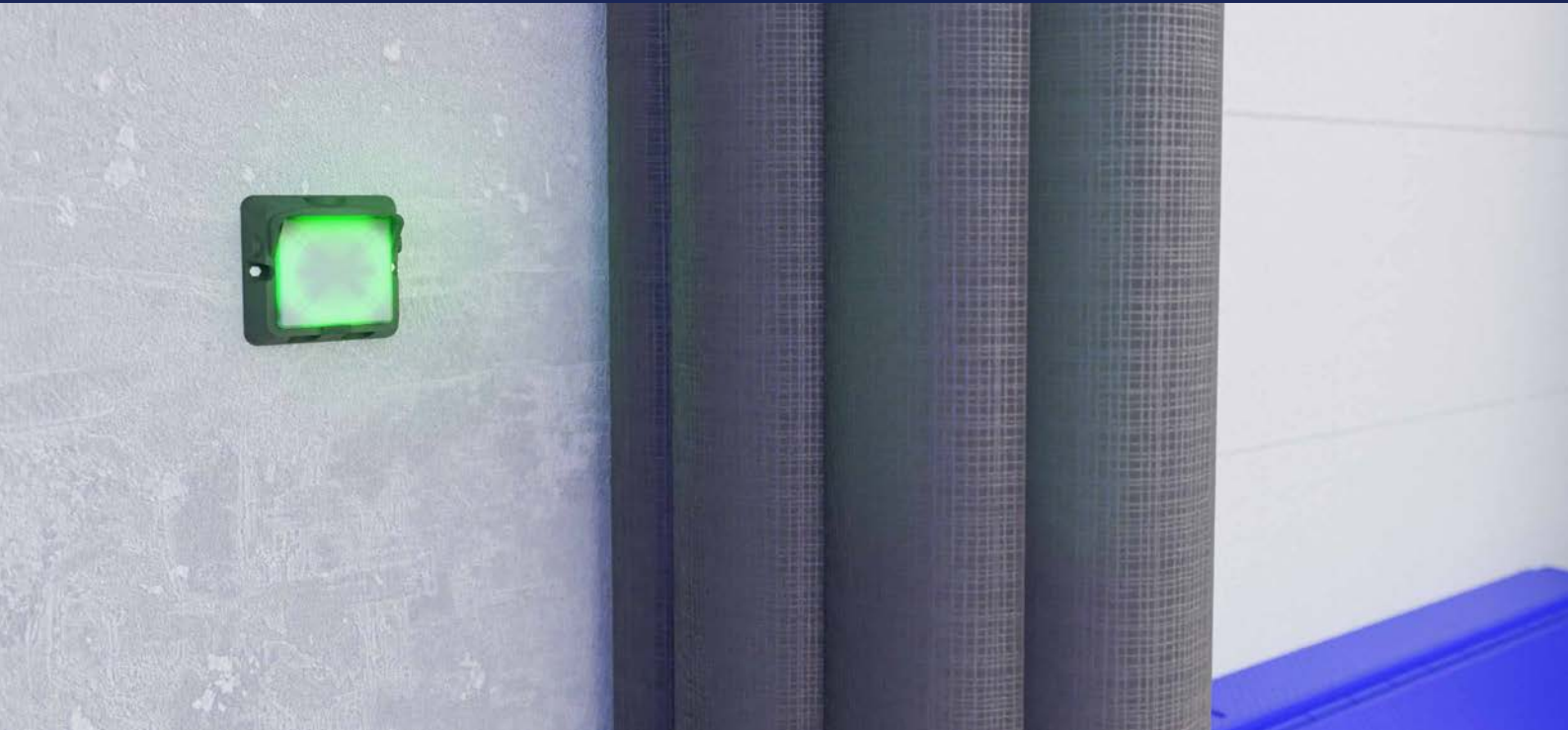


ALS & MLS Light Communication



The modern Multi-LED lighting system

Product Specifications



Automatic Light System (ALS)

Auto Activation



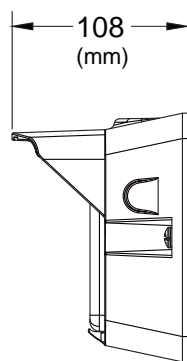
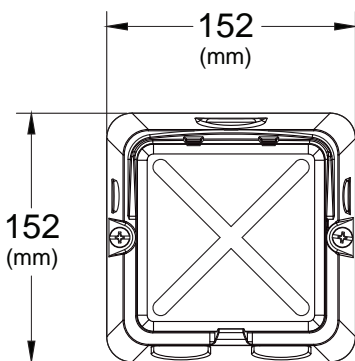
Manual Light System (MLS)

Manual Activation

Features

- 1. General:** High visibility and low profile electrically powered safety signalling device alerts truck drivers and loading dock personnel of dock condition. Universally understood red and green LED lights inside and outside building to provide clear visual communication. Caution sign with standard and reverse lettering included.
- 2. Control Panel:** Pre-wired NEMA 4X control panel is 250mm high x 200 wide x 152 deep with clearly marked operating instructions. All field wiring terminations are made to removable modular terminal connectors.
- 3. MLS Operation:** As the trailer backs up against the dock bumpers, the exterior LED light is green "O" and the interior control light is red "X". With the trailer in proper position, the operator manually switches the control panel to "ENTER VEHICLE". The exterior light changes to red "X" and the interior light changes to green "O". Once completed with loading or unloading, the operator then switches the panel to "DO NOT ENTER VEHICLE" and the interior light turns to red "X" with the exterior light changing to green "O".
- 4. ALS Operation:** Control panel is interlocked with other dock equipment (dock leveller or overhead door) so that the interior and exterior lights automatically switch based on leveller or door position. With "automatic" switch select and interlocked with a door open sensor, the interior light will automatically switch to green "O" and exterior light to red "X" when the door is open. A red "X" will be present on the exterior light when the "override" switch is selected.
- 5. Electrical:** Control panel lights are 24 volt light-emitting diodes (LED). Control panel circuitry is 240 volt operation at 1 amp. Composite light LED's are 24 volt DC with a load of 152mA.
- 6. Composite Exterior Light:** 152 x 152 x 180 (HxWxD). Black polypropylene housing prevents rust and corrosion.
- 7. Installation:** Control panel mounts on interior wall near dock door opening and the exterior light mounts to the driver's side of the building wall. Typical installation requires lights mounted 90" from the ground on driver's side of door opening and at a safe distance from door jam to prevent interference with dock seals or dock shelters.
- 8. Limited Warranty:** Serco components are warranted to be free of defects in material and workmanship, under normal use, for a limited 1-year base period from date of shipment in accordance with Serco standard warranty policy. The "Base Warranty Period" will begin on the completion of installation or the sixtieth (60th) day after shipment.

Model	Activation	Standard Features
MLS	Manual	Includes interior/exterior composite red/green LED communication lights with exterior caution sign
ALS	Automatic	Includes interior panel with red/green LED communication lights exterior composite red/green LED lights & exterior caution sign. (Limit switch and bracket provided by others)



Design Highlights

- ALS utilizes automatic interior and exterior LED red/green communication lights
- MLS utilizes manually activated interior and exterior LED red/green communication lights
- ALS & MLS light systems are shipped complete with inside control panel, exterior light, and sign
- Standard LED red/green communication lights
- Interlocking capability with other dock equipment
- NEMA4X rated non-metallic control panel
- UL / cUL listed control system
- 240V single phase operation with 24V DC LED lights and limit switch control wiring
- Programmable solid state controller

39-45 Della Torre Road, Moe Victoria 3825
v: 1800 674 566
v: sales@safetech.com.au

safetech.com.au